

THE VLOGGER™

WebCam Teleprompter

Hardware Setup

1



Connect Your Tripod to This Screw Hole

2



LCD On Users Tripod

Place Mirror Assembly Onto LCD

3



Secure Mirror Assembly With Thumbscrews

4



5

Connect Power, VGA Cable and Webcam Cables
(See Next Page)



6

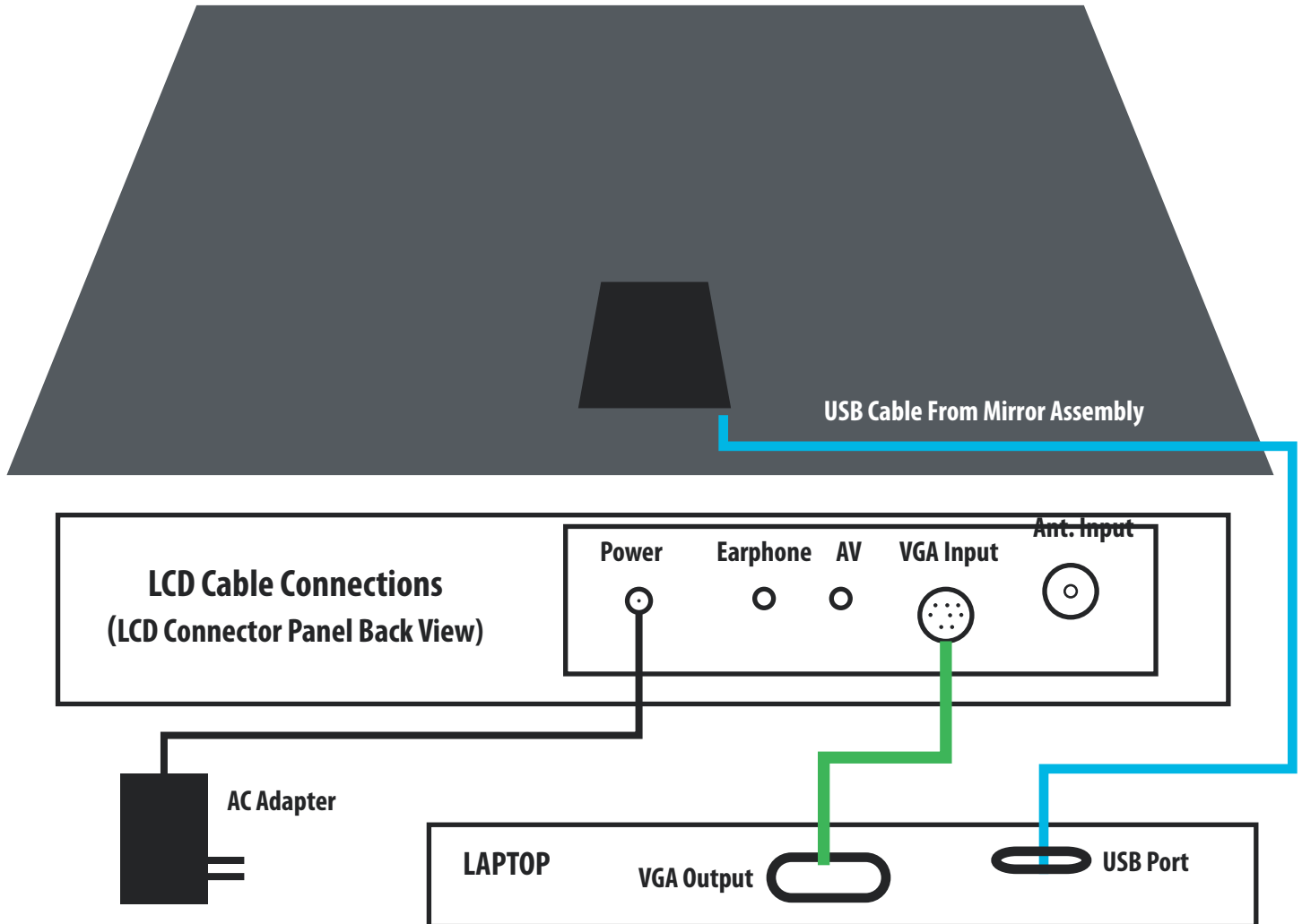
Final Vlogger Assembly



THE VLOGGER™

WebCam Teleprompter


Electrical Connections



VLogger Cable Connections

There are only three electrical connections to the VLogger: Power, VGA and USB.

- 1) Connect the round end of the gray VGA cable to the "VGA Input" connector on the LCD display.
- 2) Connect the opposite end of the VGA cable to the 15 pin VGA connector on your computer.
- 3) Connect the cable at the end of the AC adapter to the "Power Input" on the LCD display
- 4) Connect the USB cable coming out of the mirror assembly to an available USB port on your computer

The monitor comes configured from the factory with the monitor set reversed for teleprompter applications. You can also configure the monitor for none reversed mode by following the directions in the LCD manual on page 1. Monitor reversing can also be achieved by pressing the button  to the right of the "3" on the remote. This button will continue to rotate the display in 90 degree increments.

WebCam Driver Installation

1. Insert the Vlogger CD into your computer
2. Click on PCCam driver
3. Follow the on screen prompts
4. Restart your computer

